

INSTALLATION INSTRUCTION

LED LINEAR LIGHTS



Model: VT-10002, VT-20002, VT-30002

Power: 10W, 20W, 30W

!Warning

Turn off power before inspection, installation or removal
Please do not connect the panel directly to 220V, Please connect with the driver first.

INTRODUCTION

Thank you for selecting and buying V-TAC LED Emergency Spotlight. V-TAC will serve you the best. Please read these instructions carefully before starting the installation and keep this manual handy for future reference. If you have any other query, please contact our dealer or local vendor from whom you have purchased the product. They are trained and ready to serve you at the best.

PRODUCT INTRODUCTION

This panel lighting fixture is with LED diode, has advanced technology, energy savings and environmental protection, long life span, saving electricity cost and almost no maintenance time and cost needed. It has 100% efficiency and brighter than any other old fixtures.

PRODUCT OVERVIEW

No maintenance, easy to install, high efficiency, low electricity, power saving, long life span, low temperature and no glare.

APPLICATION USAGE

The LED Panel light can be used in hotels, offices, factories, conferences, meeting rooms, commercial complexes, residential buildings, schools, colleges, universities, hospitals, etc.

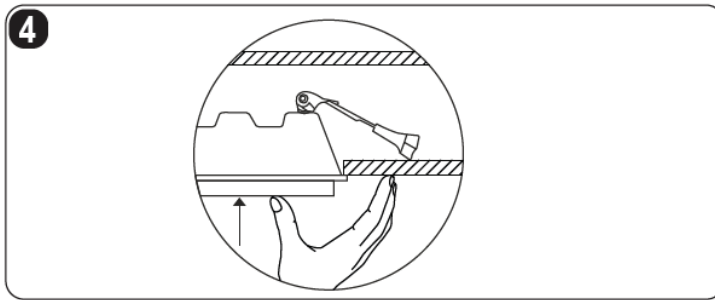
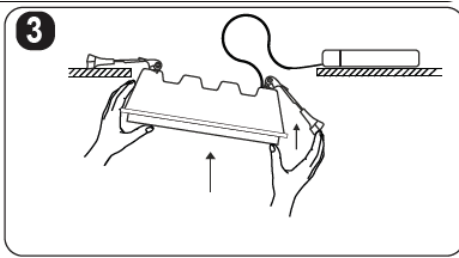
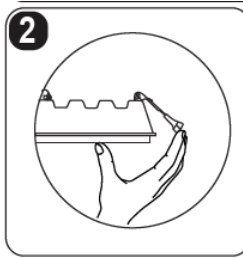
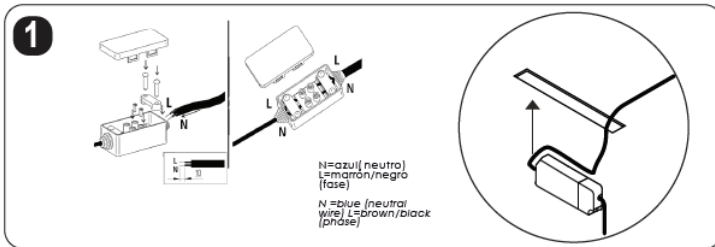
TECHNICAL PARAMETERS

Model No:	VT-10002	VT-20002	VT-30002
Power:	10W	20W	30W
Direct Connect Voltage:	24-48V	54-100w	25-45W
Lumens:	700lm	1400lm	2100lm
Beam Angle:	120°	120°	120°
CRI:	80	80	80
Protection Rating:	20	20	20
Operating Temperature:	-20°C to +40°C	-20°C to +40°C	-20°C to +40°C
Unit size:	160*45*72mm	Ø290*45*72mm	Ø430*45*72mm
Cut size:	Ø138*32mm	Ø170*32mm	Ø405*32mm

INSTALLATION REQUIREMENTS

- Install only by certified electrician.
- Please connect with the driver properly before connecting main supply.
- Proper grounding should be ensured throughout installation.
- The lighting should be located in dry areas.

INSTALLATION INSTRUCTION





NOTICE

- Lighting installation should not be covered. Leave some spaced around the fixture for ventilation.
- Risk of shock, hence disconnect at fuse or circuit breaker before installation or servicing.
- Risk of fire, supply conductors (power wires) connecting fixture must be rated minimum 90°C. If uncertain, consult electrician.

WARRANTY

- This product is warranted from manufacturing defect only.
- The warranty does not apply to damage caused by incorrect installation or abnormal wear and tear.
- The company gives no warranty against damage to any surface due to incorrect removal and installation of the product.

WARNING

- The product uses a very high power LED. As with any light source, direct viewing should be avoided.
- NOTE: Although easy to fit, this lamp requires wiring to the main and for safety should only be fitted by a qualified electrician.
- Having issued this warning, the company accepts no responsibility for issues arising for any failures to comply with these clear instructions.
- The company will not accept any responsibility for any other issues arising from improper use of fitting of this product as these materials are beyond our control.