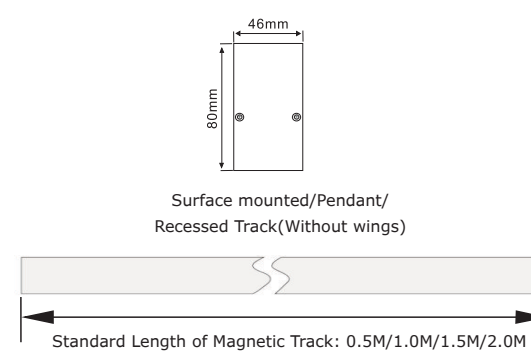


INSTALLATION INSTRUCTION MAGNETIC TRACK

TECHNICAL DATA:

Work voltage	DC24V
Maximum current Load	Maximum current 16A per track
Load power	384W (Maximum Load Power)
Connect length	The longest track connection 20m (Max)
Product color	Black
Splice type	Standard Length of Magnet track Linear connect/Horizontal 90° connect/90° Corner connect/T type connect/+ type connect
Standard Length	0.5M/1M/1.5M/2M
Protection Level	IP20
Working temperature	-10°C~+50°C

DIMENSION DIAGRAM:



INTRODUCTION & WARRANTY

Thank you for selecting and buying V-TAC product. V-TAC will serve you the best. Please read these instructions carefully before starting the installing and keep this manual handy for future reference. If you have any other query, please contact our dealer or local vendor from whom you have purchased the product. They are trained and ready to serve you at the best. The warranty is valid for 3 years from the date of purchase. The warranty does not apply to damage caused by incorrect installation or abnormal wear and tear. The company gives no warranty against damage to any surface due to incorrect removal and installation of the product. The products are suitable for 10-12 Hours Daily operation. Usage of product for 24 Hours a day would void the warranty. This product is warranted for manufacturing defects only.

Application: Office area, Exhibition hall, exclusive store, hotel, villa, club and other related environment.

This marking indicates that this product should not be disposed of with other household wastes.

Caution, risk of electric shock.

SAFETY PRECAUTIONS BEFORE INSTALLATION

This product is to be installed in indoor location only. Do not install this lamp on the following locations:

1. Temperature below 10°C and above 50°C;
2. Ceilings that cannot support the weight of the lamp/lantern; Inclined, concave, or convex ceilings;
3. Wet area with the humidity of >80% PH;
4. Dusty, has presence of corrosive gases;
5. Rooms where magnets are heavily used or altered (operating rooms in hospitals, etc.)
6. Near the AC system OR Insulated areas OR Near direct sunlight

Note: Please make sure to turn OFF the power before starting the installation.

MULTI-LANGUAGE MANUAL QR CODE

Please scan the QR code to access the manual in multiple languages.



WARNING! & SAFETY INSTRUCTIONS:

- Please turn off the Power before starting the installation.
- Installation shall only be done by a certified electrician.
- The magnetic suction track needs to be equipped with a 24V DC switching power supply which cannot be directly connected to the municipal electricity.
- Lighting and other power lines (such as AC or high-power electric equipment) should be separated or kept at a distance.
- Before installing/repairing the lamps, make sure that the power supply has been cut off and that the connection is correct before the power supply is switched on [Risk of electric shock].
- Please do not deconstruct or alter the lamp to prevent risk of electric shock, malfunctions, or any kind of accident.
- Do not touch the lamp, when the product is switched on/off, the product is high in temperature.
- Do not install the product with wet hands
- There should be no strong alternating magnetic field around the lamp.
- The built-in magnetic structure of the lamp has great magnetic attraction. Please be careful when installing the track of the lamp to avoid getting injuries.
- The safety buckle should be locked in place when the lamps and lanterns are put on track to avoid risk of falling lamp.
- The actual power of the product ranges from 90% to 110% of the nominal power. The load current carrying capacity of the wires should be considered while wiring.
- The force point of the ceiling in the lighting installation area must be more than four times the weight of the lamp for safety [Risk of falling & failure].
- The lamp can not be used in violation of any fire protection regulation.
- The light source of this luminaire is not replaceable, when the light source reaches its end of life the whole luminaire should be replaced.
- In the presence of smoke & foul odor, please cut off the power immediately and consult the installation personnel/electrician.

EXTERNAL POWER SUPPLY INSTALLATION

1. Remove the end cap from one end of track, insert the power terminal box into the track;
2. Put the power supply on the ceiling and wire AC power by brown/blue wire. Take out the DC wire red/blue from the ceiling and insert in the hole of track, then wire with power terminal box.

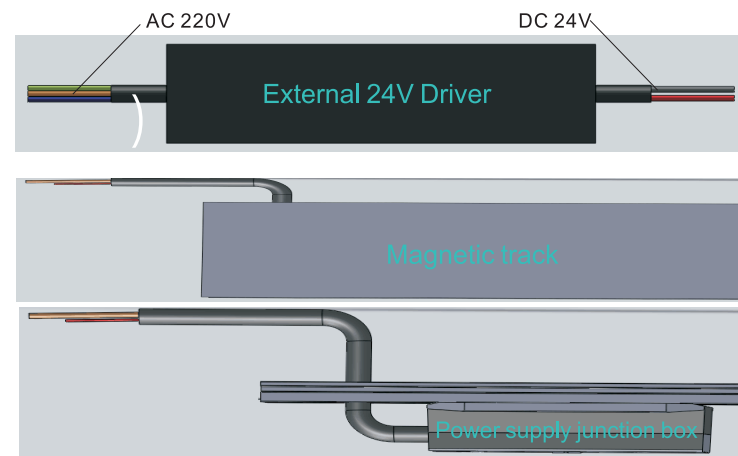


Table 1

NO.	Color	Power wire instructions
1	Brown	AC220V input, connect L wire
2	Blue	AC220V input, connect N wire

Table 2

NO.	Color	Function indication of power wire and signal wire installation wiring
1	Red	Switch power supply output 24V+
2	Black	Switch power supply output 24V-

SURFACE MOUNTED MAGNETIC TRACK INSTALLATION

Accessories required for surface mounted magnetic track installation:

NO	NAME	PICTURE	SIZE	DESCRIPTION
1.	4x30mm Tapping Screw		4x30mm	For track installation and fixed use

1. Please refer to the track installation diagram for the hole positions (fig 1). And refer to the table below for dimension spacing of the holes for surface magnetic track.

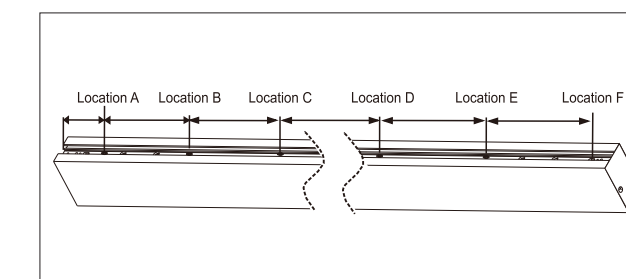


FIG 1

Dimension spacing table of the holes for surface magnetic track:

SKU/Length	A Installation Spacing	B Installation Spacing	C Installation Spacing	D Installation Spacing	Qty. of tapping screw
7950 / 0.5M	67mm	365mm	/	/	2pcs
7951 / 1M	67mm	865mm	/	/	2pcs
7953 / 1.5M	67mm	435mm	496mm	435mm	4pcs
7952 / 2M	67mm	595mm	675mm	595mm	4pcs

2. Mark hole position and drill holes with tools in the track installation area. Make sure to drill outlet holes for power cables (Ref Fig 2).

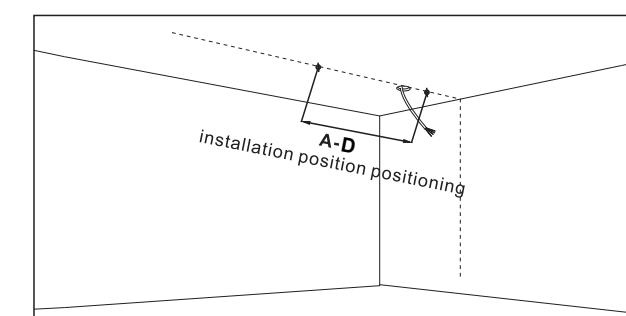


FIG 2

3. Install the track into the ceiling with self-tapping screws and the power cord enters through the hole of the track outlet. Ensure the screw is firmly installed with the track (Ref Fig 3).

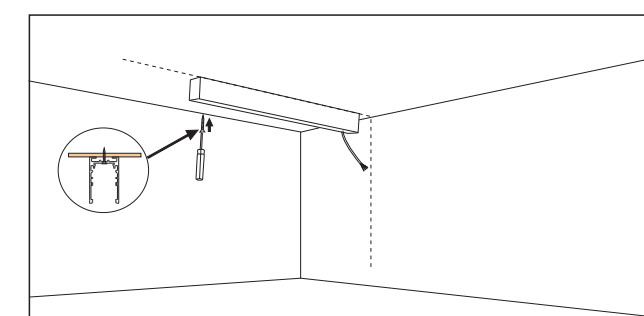


FIG 3

4. Connect the power cables from the track to the track power connector box, and push the excess cables into the ceiling from the outlet hole. Please refer to the installation instructions of the External power supply installation for wiring connections.

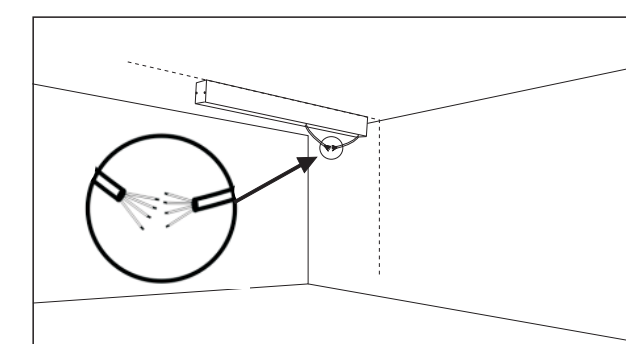


FIG 4

5. Load the magnetic track lights into the track then switch on the power to test the light.

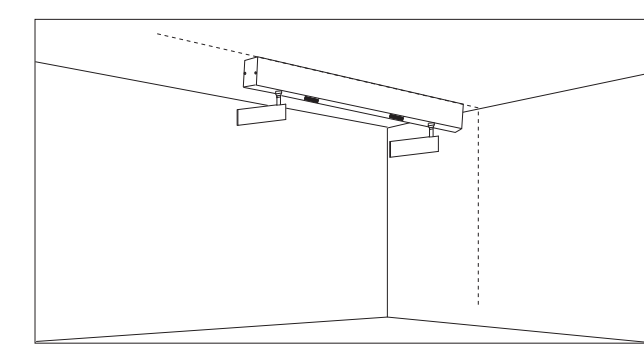


FIG 5

PENDANT TRACK INSTALLATION (SUSPENSION WIRES TYPE)

Accessories required for pendant track installation:

NO	NAME	SKU	PICTURE	SIZE	DESCRIPTION
1.	Suspension Wires	7977		80	Used for installation/markings of track suspension line 1.5m (customizable length of suspension line)
2.	4x30mm Tapping Screw			4x30mm	For track installation and fixed use.

1. Before you install the pendant track, please refer to the picture of pendant hole diagram (ref fig 6) and dimension spacing table, then go to the installation area for positioning and installing.

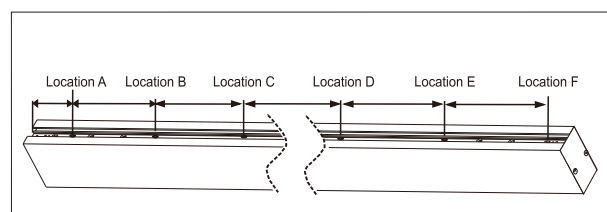


FIG 6

Dimension spacing table for hole of Pendant Magnet track

SKU/Length	A Installation Spacing	B Installation Spacing	C Installation Spacing	D Installation Spacing	Qty. of tapping screw
7950 / 0.5M	67mm	365mm	/	/	2pcs
7951 / 1M	67mm	865mm	/	/	2pcs
7953 / 1.5M	67mm	435mm	931mm	/	3pcs
7952 / 2M	67mm	595mm	675mm	595mm	4pcs

2. In the track installation area, using the tool mark a straight line and the hole position for installing the track (Fig 7).

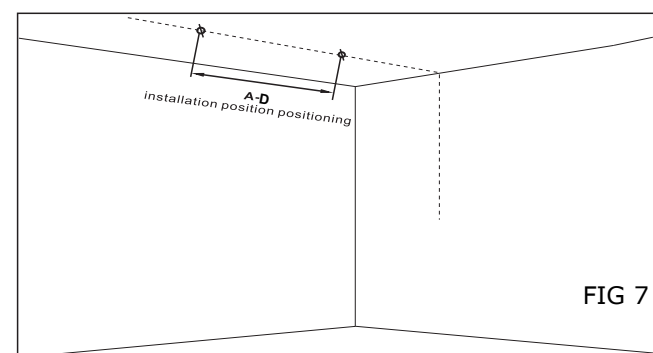


FIG 7

3. Fix the lifting accessories on the ceiling, check whether the accessories are firmly installed and ensure the safety of installation (Fig 8).

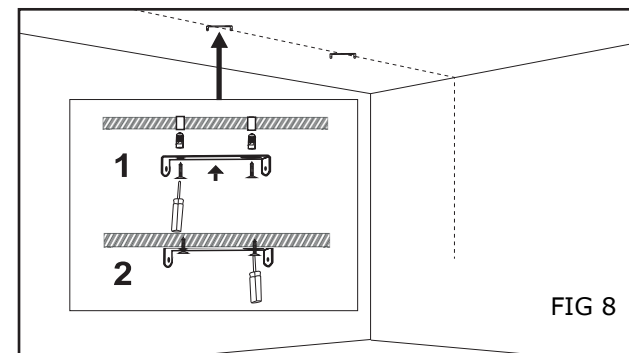


FIG 8

4. Connect the suspension wires with the ceiling box and track, adjust the suspension wires length as per the required height, hold the track, and install the ceiling box and suspension accessories; Please refer to the installation instructions of the External power supply installation for wiring connections.

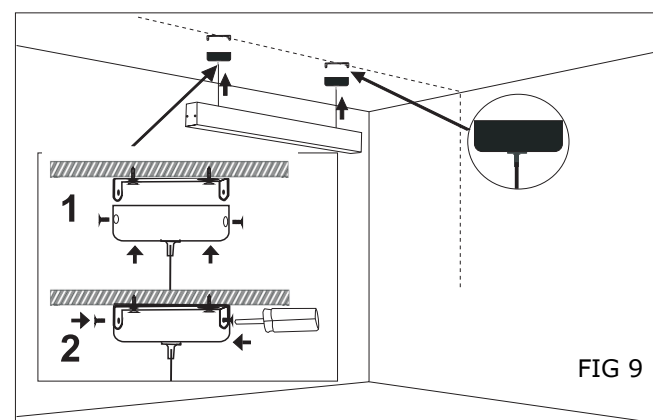


FIG 9

5. Load the magnetic track lights into the track then switch on the power to test the light (Fig 10).

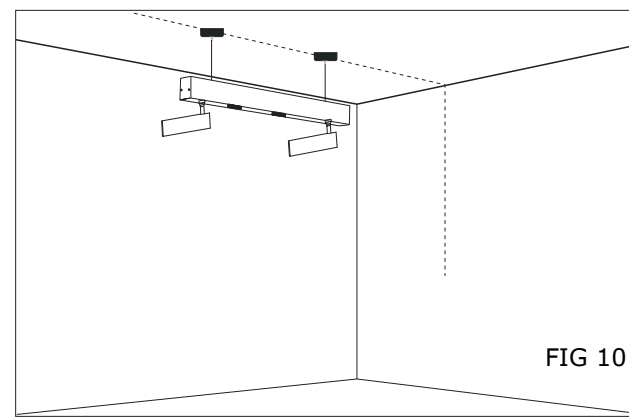


FIG 10

RECESSED TRACK (WITHOUT WINGS) INSTALLATION

Accessories required for recessed track (without wings) installation:

NO	NAME	SKU	PICTURE	SIZE	DESCRIPTION
1.	Recessed Kit	7970		80	Installation of recessed kit (without wings) track only. Installation and Fixed use black.
2.	4x30mm Tapping Screw			4x30mm	For track installation and fixed use.

1. Before you install the recessed track, please refer to the hole position mapping diagram (Fig 11), dimension spacing table of the recessed fixing parts and track cut out size in the installation area.

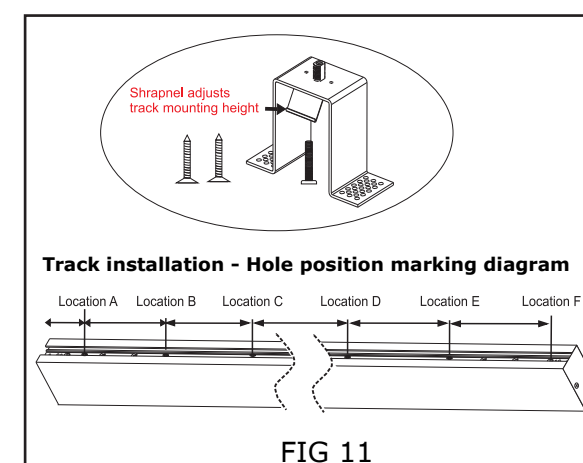


FIG 11

RECESSED ACCESSORY DESCRIPTION:

1. The accessory is mounted on the back of the ceiling board.
2. The thickness of the board should be 8-12mm.

Dimension spacing table of hole for recessed (without wings) magnetic track

SKU/Length	Cut out/mm	A Installation Spacing	B Installation Spacing	C Installation Spacing	D Installation Spacing	Qty. of tapping screw
7950 / 0.5M	510x50x120	67mm	365mm	/	/	2pcs
7951 / 1M	1010x50x120	67mm	865mm	/	/	2pcs
7953 / 1.5M	1510x50x120	67mm	435mm	931mm	/	3pcs
7952 / 2M	2010x50x120	67mm	595mm	675mm	595mm	4pcs

2. Before installing please refer to the table for track cut out size, installation & marking position (Fig 12).

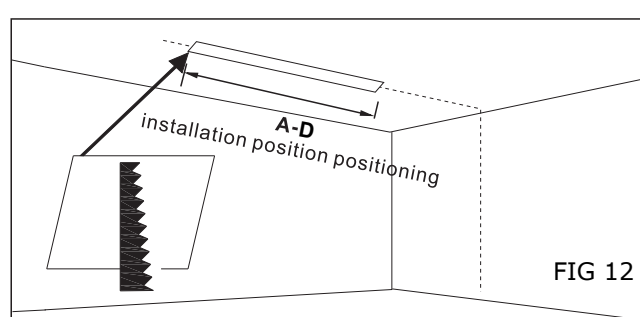


FIG 12

3. Insert the recessed accessories into the measuring position on the back of the open ceiling. Fix the fittings with self-tapping screws and check whether the fittings are installed correctly. Ensure the track is firmly installed (Fig 13).

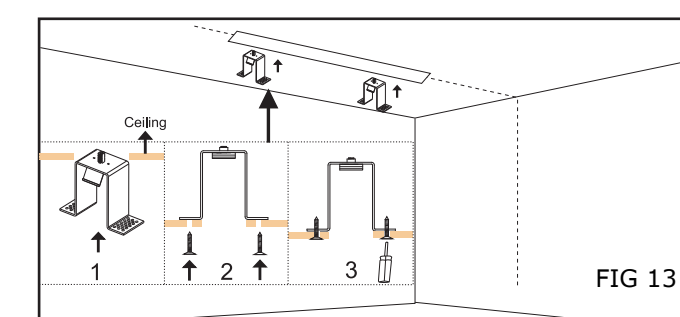


FIG 13

4. Install the track into the ceiling, and fix the track to the fitting using M7 screws. Ensure the screws are properly installed (Fig 14).

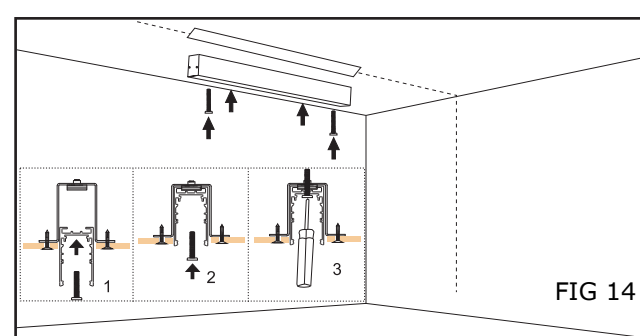


FIG 14

5. Load the magnetic track lights into the track then switch on the power to test the light (Fig 15).

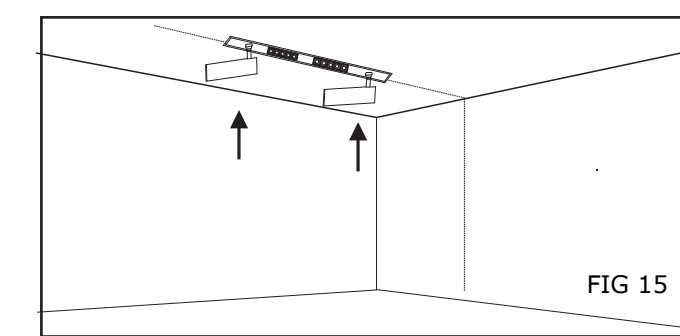


FIG 15

MAGNETIC TRACK ACCESSORIES INSTALLATION

NO	NAME	SKU	PICTURE	DESCRIPTION
1.	Track connector set (Metal Plate)	7971		To be used for track straight line splicing, 1PC for each segment splicing
2.	Track connector set (straight connector)	7971		Option for Conductive Linear Connection of Track
3.	90°D Connector	7972		Surface mounted / Pendant / Recessed (without wings) track horizontal 90° corner splicing
4.	Outer corner connector	7973		For vertical track splicing
5.	X connector	7974		Surface mounted / Pendant / Recessed (without wings) track, + type connector splicing only
6.	T connector	7975		Only for bright/ lifted/ embedded installation without side rail T type splicing
7.	Pendant accessory	7977		Used for installation/ marking of track suspension line 1.5m (customizable length of suspension line)
8.	Recessed kit	7970		Installation of recessed (without wings) track only Installation and fixed use
9.	Live end connector	7979		Conductive use/ optional purchase for connection between track line and power supply
10.	Track cover	7978		Magnet track PC Cover for track without lamp
11.	L type track connector			Conductive use/optional purchase for L type rail connections
12.	4x30mm Tapping screw			For track installation and fixed use
13.	End cap			Used for installation of end caps at both ends of track

TRACK CONNECTOR INSTALLATION

