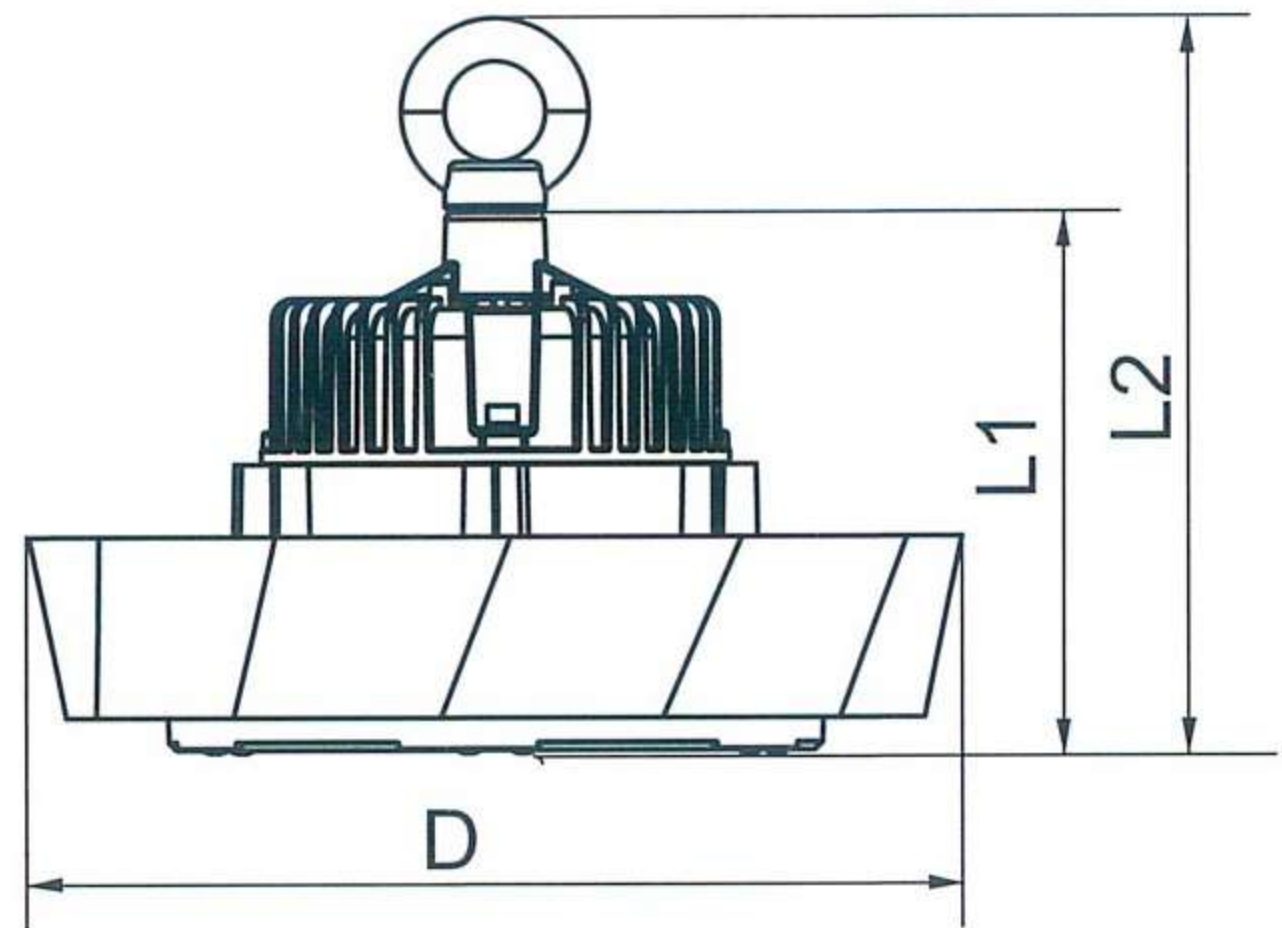


INSTALLATION INSTRUCTION

LED HIGHBAYS



5 YEARS
WARRANTY*



USING
SAMSUNG
POWER SUPPLY

V-TAC PERFORMANCE
160
LUMENS/WATT

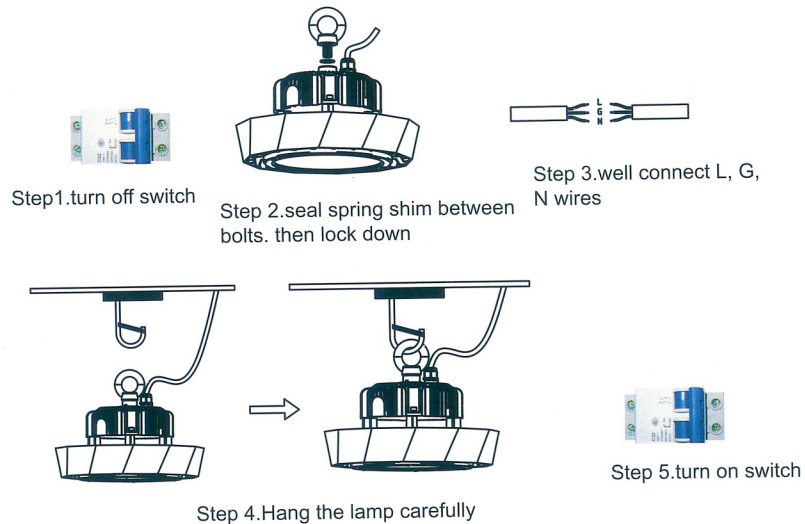


INTRODUCTION & WARRANTY

Thank you for selecting and buying V-TAC LED product. V-TAC will serve you the best. Please read these instructions carefully before starting the installing and keep this manual handy for future reference. If you have any other query, please contact our dealer or local vendor from whom you have purchased the product. They are trained and ready to serve you at the best.

The warranty is valid for 5 years from the date of purchase. The warranty does not apply to damage caused by incorrect installation or abnormal wear and tear. The company gives no warranty against damage to any surface due to incorrect removal and installation of the product. The products are suitable for 10-12 Hours Daily operation. Usage of product for 24 Hours a day would void the warranty. This product is warranted for manufacturing defects only.

INSTALLATION INSTRUCTION



Wiring Diagram



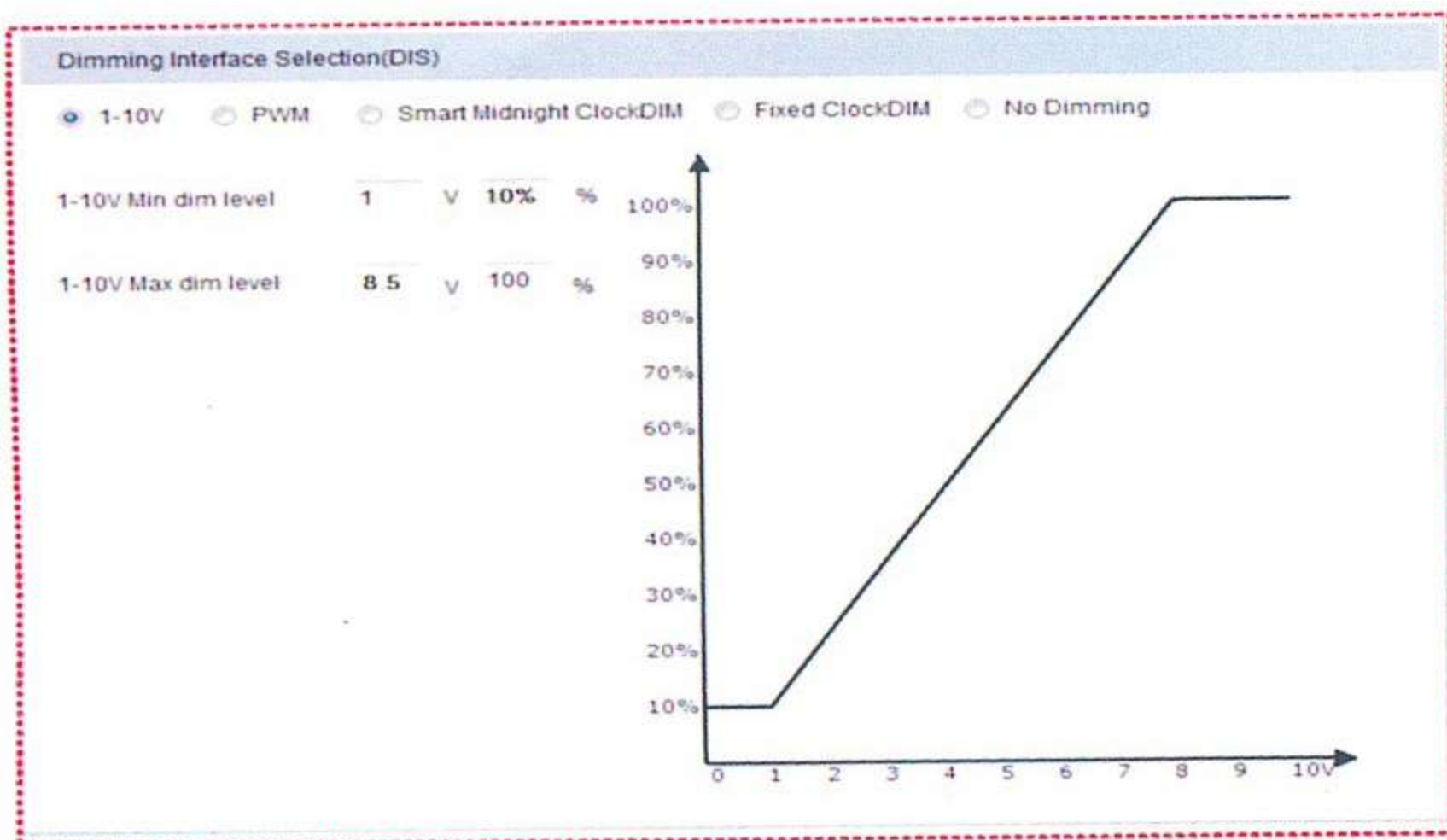
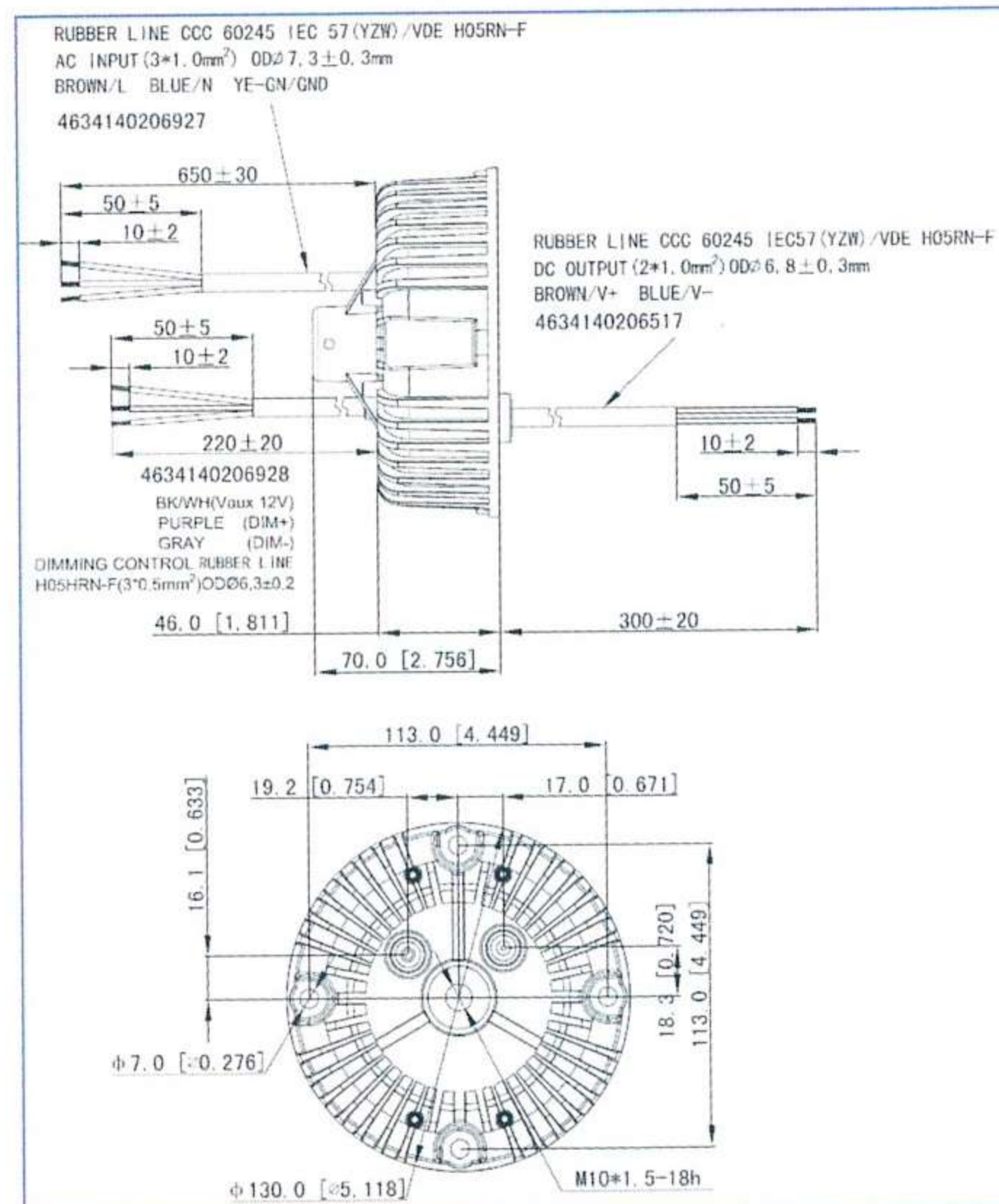
TECHNICAL SPECIFICATION

MODEL NO	WATTS	BEAM ANGLE	LUMENS	INPUT VOLTAGE	COLOR TEMP.	LIFE HOURS	On/Off Time	CRI	DIMENSION	IP Rating
VT-9-113	100W	120°	16000LM	120-277V 50/60Hz	4000K	50000 Hours	>20000	Ra>80	260X145	IP65
VT-9-113	100W	120°	16000LM	120-277V 50/60Hz	6000K	50000 Hours	>20000	Ra>80	260X145	IP65

V-TAC[®]

INNOVATIVE LED LIGHTING

0-10V DIMMABLE DRIVER



SAMSUNG LED Constant Current Driver
 Energy Saving Solutions

Vaux 12V
 BK:WH
 Dim+
 Program
 PU
 Dim-
 GR

Model: SL-LA212A001WW
 Input Voltage: 120-240Vac 50/60Hz
 Input Current: 1.3A
 Output Voltage: 29-71Vdc
 U-OUT:100V
 Output Current: 2100mA Max
 Output Power: 100W
 tc: 90°C to 60°C PF>0.90
 MADE IN CHINA

ACIL
 BROWN
 AC/N
 BLUE
 YE-GN

CE
 RoHS
 110

OUTPUT
 V-
 BLUE
 V+
 BROWN
 IP65
 SELV
 RoHS

In case of any query/issue with the product please reach out to us at support@vtacexports.com
 For More products range, inquiry please contact our distributor or nearest dealers.
 V-TAC EUROPE LTD, Bulgaria, Plovdiv 4000, bul.L.Karavelow 9B